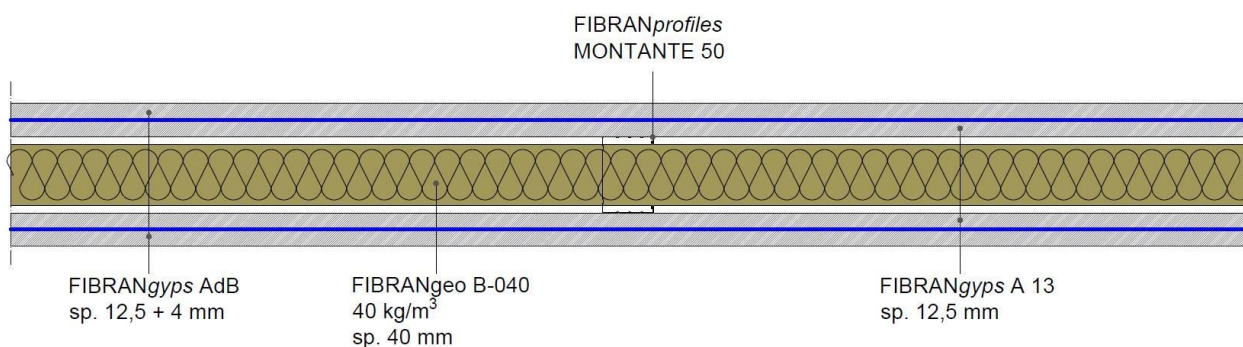


# Partition FIBRAN AdBW 104/50 mw

Partition drywall,  $R_w$  56 dB, thickness 104 mm



## Plasterboards

1 layer (outer) of a composite board **FIBRANGypps AdB**, CE marked according to EN 14190, fire reaction B-s1,d0 according to EN 13501-1, thickness 14,5 mm and weight 13,0 kg/m<sup>2</sup>, consisting of a blue colour **EPDM** membrane, thickness 2 mm and weight 4,0 kg/m<sup>2</sup>, water vapor resistance factor  $\mu=6.000$ , thermal conductivity  $\lambda=0,25$  W/mK and specific heat  $c_p=1$  kJ/kgK according to EN 10456, coupled to a plasterboard **FIBRANGypps A 13** thickness 12,5 mm, CE marked– type A according to EN 520, weight 9,0 kg/m<sup>2</sup>.

1 layer of a plasterboard **FIBRANGypps A 13**, thickness 12,5 mm, CE marked– type A according to EN 520, classified A+ according to EN ISO 16000-09, fire reaction A2-s1,d0 according to EN 13501-1, weight 9,0 kg/m<sup>2</sup>, water vapor resistance factor  $\mu=10$ , thermal conductivity  $\lambda=0,21$  W/mK and specific heat  $c_p=1,03$  kJ/kgK according to EN 10456.

## Metal frame thickness 0,6 mm conform to EN 14195

Channels **FIBRANprofiles GUIDA 50** thickness **0,6 mm**, web 40 mm height, mechanically fixed to the floor and ceiling using fixing nails at a maximum spacing of 500 mm;

Studs **FIBRANprofiles MONTANTE 50** thickness **0,6 mm**, max axial spacing every 600 mm, slotted to allow passage of the installations.

## Insulation board in cavity

**FIBRANgeo B-040**, biosoluble stonewool board, density **40 kg/m<sup>3</sup>**, thickness **40 mm**, fire reaction A1 according to EN 13501-1, thermal conductivity 10°C  $\lambda_p=0,034$  W/mK according to EN 12667 and EN 12939, water vapour diffusion resistance factor  $\mu=1$  according to EN 12086, specific heat capacity  $c_p=1,03$  kJ/kgK according to EN 10456.

## Screws

Self-drilling screws **FIBRANGypps SCREW** 3,5x25 and 3,5x45 mm with resistance in salt spray fog test not less than 72 hours, fixed max 350 mm for the inner layer and 250 mm for the outer layer.

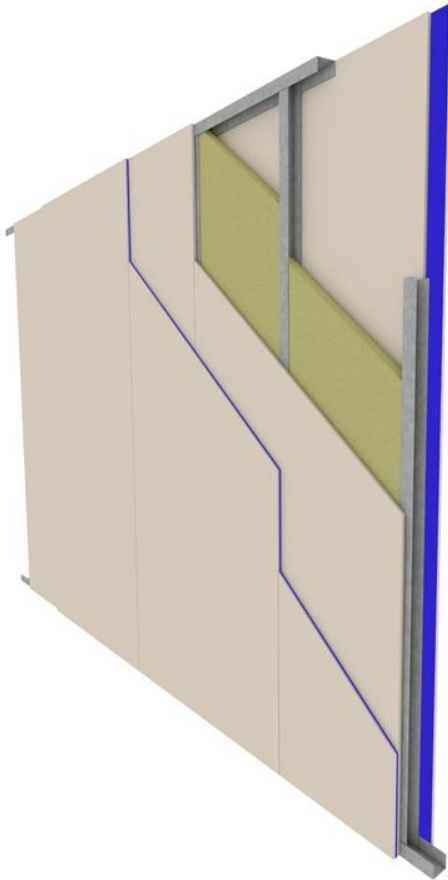
## Adhesive tape and joint filler

Closed cell polyethylene foam adhesive tape **FIBRANGypps** to be applied on the entire perimeter of the metal structure, to eliminate the possible acoustic bridges due to the transmission of noise through the building structures.

Treatment of the joints between plasterboards and head of screws with **FIBRANGypps JF** joint filler CE marked according to EN 13963 and reinforcing tape **FIBRANGypps**.

# Partition FIBRAN AdBW 104/50 mw

## Technical features



### Acoustics

**R<sub>w</sub> = 56 dB** – test report Istituto Giordano No. 372091

### Mechanical performance

**FIBRANprofiles** channels and studs DIN 50 mm, thickness 0,6 mm, max axial spacing every 600 mm, conform to EN 14195.

Profiles must be designed according to local regulation and specific application.

In case of walls longer than 15 meters, an expansion joint must be made every 10 meters and on the structural joints of the building

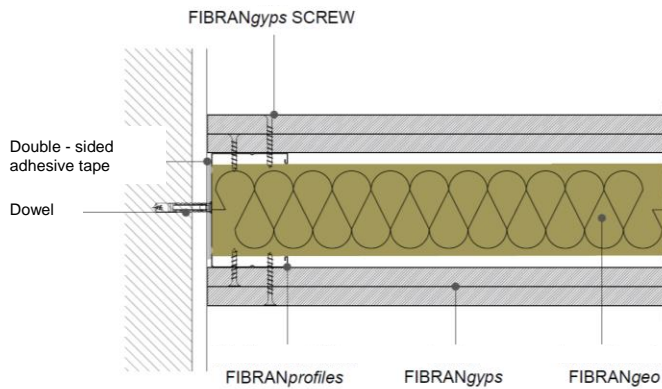
### Finishing

According to the quality level required (Eurogypsum).

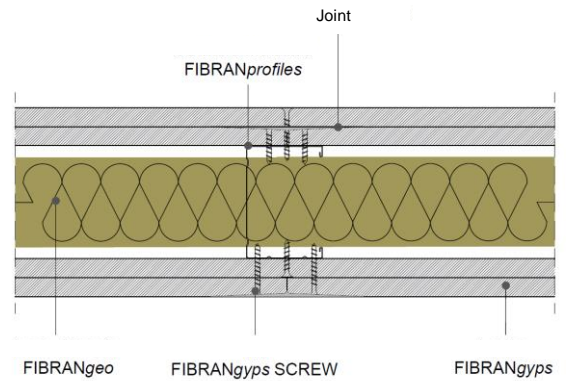
Use FIBRANgyps JF READY MIX for quality level Q4.

# Partition FIBRAN AdBW 104/50 mw

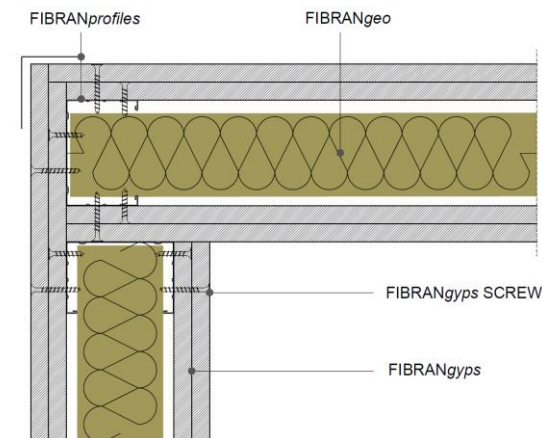
## Construction details



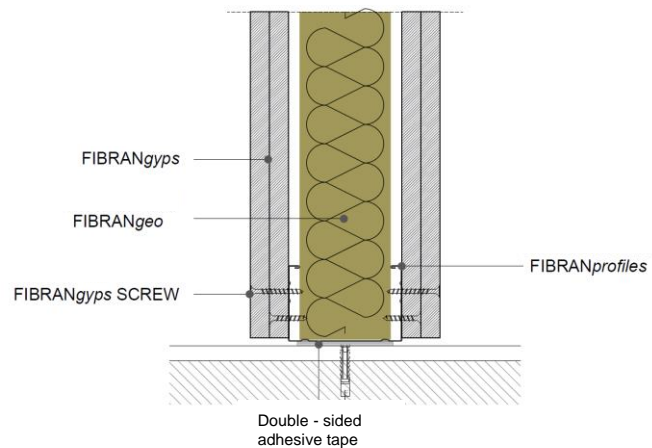
**DETAIL 1** WALL CONNECTION



**DETAIL 2** JOINT



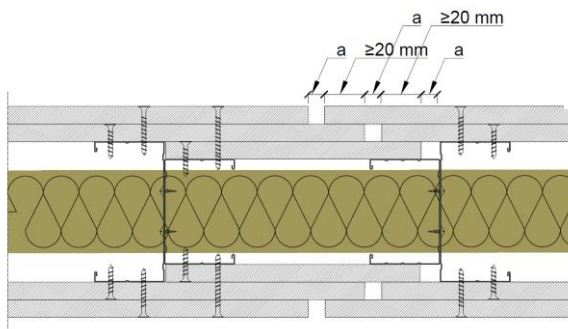
**DETAIL 3** CORNER FITTING



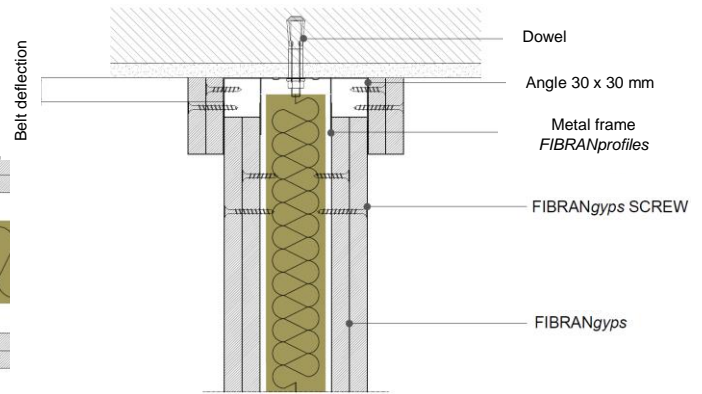
**DETAIL 4** FLOOR CONNECTION

# Partition FIBRAN AdBW 104/50 mw

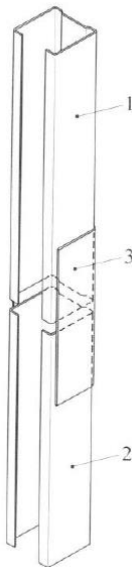
## Construction details



**DETAIL 5** EXPANSION JOINT



**DETAIL 6** DESOLIDARIZATION FLOOR - WALL



**LEGEND**

- 1. stud
- 2. stud
- 3. stiffening element made with a channel of the same width as the stud; lenght at least 10 times the width

**DETAIL 7** JOINT BETWEEN PROFILES

# Partition FIBRAN AdBW 104/50 mw

Quantities of material for a wall with dimensions L= 5 m e H=3m\*

## Indicative quantities for square meter of lining - waste 5%

		quantity/m <sup>2</sup>		quantity/m <sup>2</sup>	
		centre 600 mm		centre 400 mm	
Description	UM				
FIBRANGyeps AdB composite board	m <sup>2</sup>	2,10	2,10	2,10	2,10
FIBRANGyeps A 13 board	m <sup>2</sup>	2,10	2,10	2,10	2,10
FIBRANprofiles MONTANTE 50 stud	m	2,10	3,80	2,90	5,40
FIBRANprofiles GUIDA 50 channel	m	0,70	0,70	0,70	0,70
FIBRANgeo B-040 sp. 40 mm	m <sup>2</sup>	1,05	1,05	1,05	1,05
FIBRANGyeps JF joint filler	kg	0,70	0,70	0,70	0,70
FIBRANGyeps double-sided adhesive tape	m	1,10	1,10	1,10	1,10
FIBRANGyeps adhesive fiberglass mesh tape	m	1,50	1,50	1,50	1,50
FIBRANGyeps SCREW 25 mm centre 350 mm	U	14	14	23	23
FIBRANGyeps SCREW 45 mm centre 250 mm	U	23	23	30	30
Teks screws FIBRAN centre 500 mm	U	-	4	-	5,5
Dowel FIBRAN	U	3	3	3	3
FIBRANGyeps JF READYMIX drywall finishing	kg	varies with the quality request of the finishing			

\*Since some quantities depend on the geometry, design and installation of the wall, it is good practice to check the exact quantity. The quantities shown in the table refer to a empty-to-full calculation.

FIBRAN reserves the right to alter or amend technical data without notice. The information included in this document is correct to the best of our knowledge.

Whilst FIBRAN will endeavor to ensure publications are up to date, it is the user's responsibility to check with the company the validity of the information prior to materials' use. For more information visit the website [www.fibran.it](http://www.fibran.it) or contact the Technical Department.

15/03/2021 first draft